

Power Ferrite Flyback Transformers Size E16 - Single Output: 5V or 12V

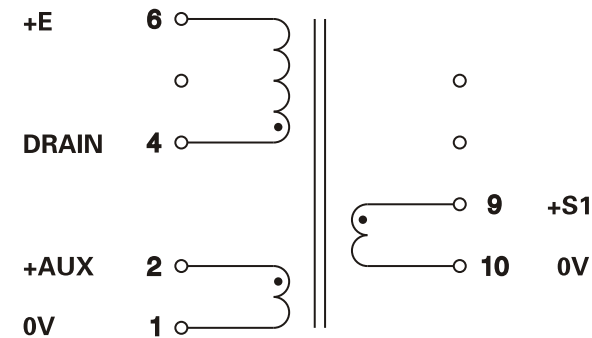
Features

- Primary / Secondary Insulation $\geq 4,000V$
- Primary / Auxiliary Insulation $\geq 1,500V$
- Primary / Secondary creepage distance $\geq 6mm$
- Confirms to IEC950, IEC335, IEC61558 reinforced insulation construction
- UL94-V0 listed materials used exclusively

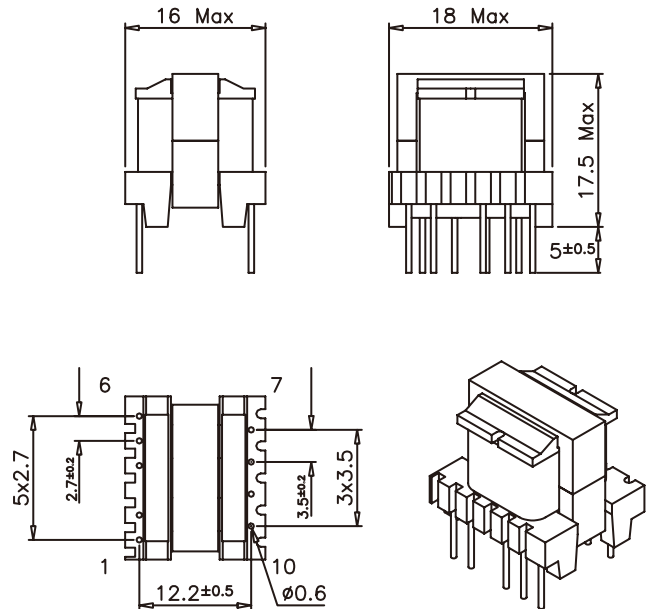
Applications

- AC-DC converters
- DC-DC converters
- Switch Power supplies
- SMPS: Flyback
- SMPS: Half Bridge and Full Bridge

Schematic



Remove Pin 3
PCB Hole Diameter=1.1mm



Part Number	Max Output Power	Windings					Ambient Temperature	
		Pins	Turns	Voltage	Current (max)	Inductance ($\pm 10\%$)		
74001	6W	Pri	4-6	138	85-265Vrms	0.35 Apeak	3,000 μ H	<60°C
		Aux	2-1	20	8 - 16 Vdc	0.1 Adc		
		S1	9-10	8	3 - 6 Vdc	1.2 Adc		

Examples of application with Integrated Circuits :

Part Number	Control IC Manufacturer	Input Voltage	Power	Frequency
74001	Power Integrations	85 - 265Vrms	6W	132kHz
	ST Microelectronics	85 - 265Vrms	6W	70kHz
	ST Microelectronics	85 - 265Vrms	3W	40kHz
	Motorola	85 - 265Vrms	6W	100kHz
	Infineon	185 - 265Vrms	6W	100kHz