

## Power Ferrite Flyback Transformers Size E16 - 2 Outputs: 2 x 24V

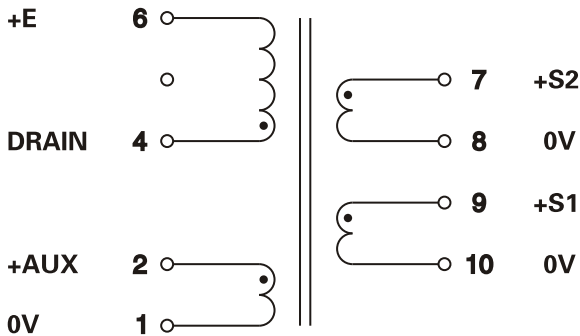
### Features

- Primary / Secondary Insulation  $\geq 4,000V$
- Primary / Auxiliary Insulation  $\geq 1,500V$
- Primary / Secondary creepage distance  $\geq 6mm$
- Confirms to IEC950, IEC335, IEC61558 reinforced insulation construction
- UL94-V0 listed materials used exclusively

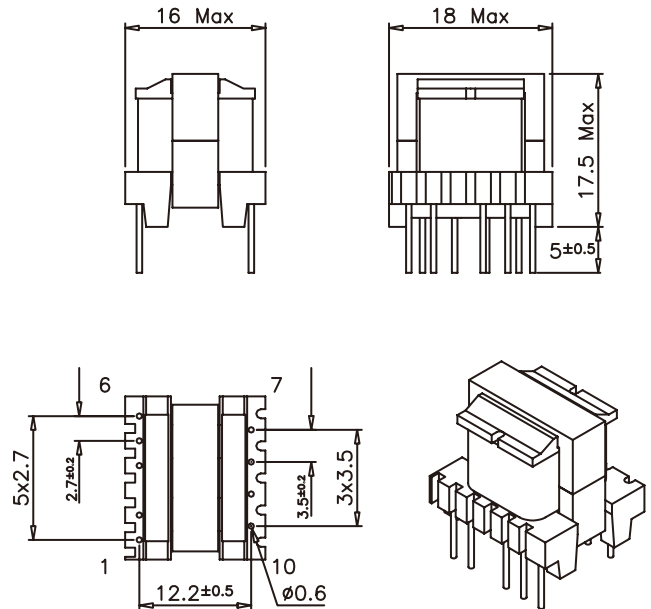
### Applications

- AC-DC converters
- DC-DC converters
- Switch Power supplies
- SMPS: Flyback
- SMPS: Half Bridge and Full Bridge

### Schematic



Remove Pin 3  
PCB Hole Diameter=1.1mm



Part Number	Max Output Power	Windings					Ambient Temperature	
		Pins	Turns	Voltage	Current (max)	Inductance ( $\pm 10\%$ )		
74014	12W	Pri	4-6	120	85-265Vrms	0.5 Apeak	1,800 $\mu H$	<50°C
		Aux	2-1	17	9 - 18 Vdc	0.2 Adc		
		S1	9-10	27	15 - 30 Vdc	0.4 Adc		
		S2	7-8	27	15 - 30 Vdc	0.4 Adc		

**Typical Outputs:** +24V 0.5A with S1-S2 in parallel  
 +48V 0.25A with S1-S2 in series(8-9connected)  
 +15V/-15V 0.4A with pins 8-9 connected to 0V

Examples of application with Integrated Circuits :

Part Number	Control IC Manufacturer	Input Voltage	Power	Frequency
74014	Power Integrations	185 - 265Vrms	12W	132kHz
	Power Integrations	85 - 265Vrms	8W	132kHz