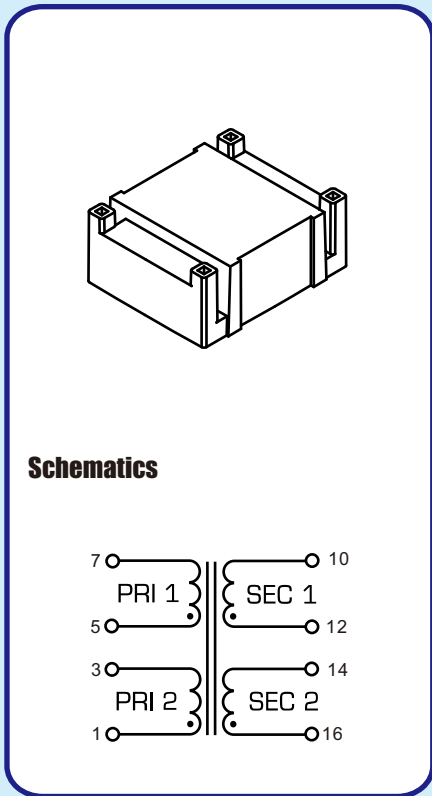


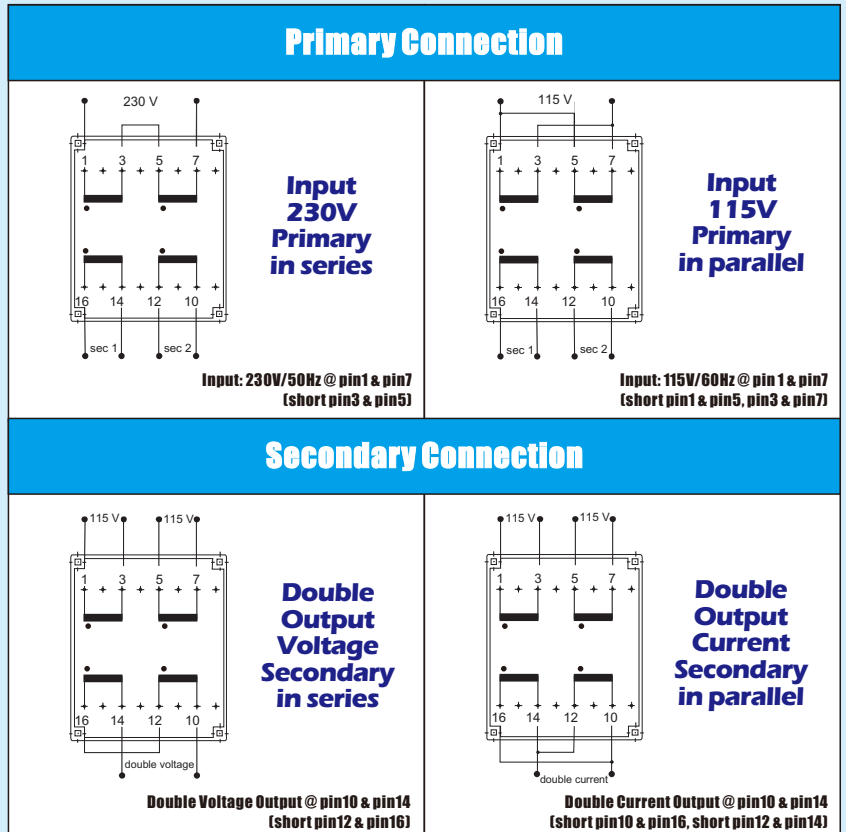
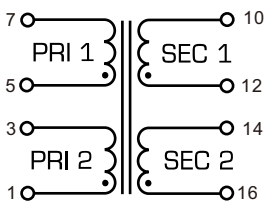
2.0VA



- Core type UI30
- Rated power output - 2.0VA
- Input voltage - 115VX2, 50/60Hz
- Insulation class - Class B (130°C)
- Ambient temperature (ta) - 50°C
- Self-extinguishing material
- Split-bobbin design
- Dielectric strength - 3,750Vrms
- Potted under vacuum
- Weight: 125g



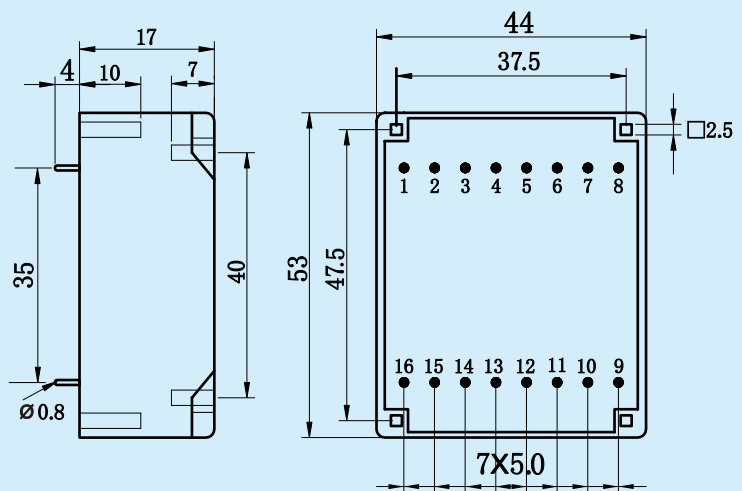
Schematics



Note: Recommended PCB layout for primary and secondary in series or in parallel. Unused pins are omitted for standard parts and it can be provided upon request.

| Part Number | Primary (V) | Secondary (V) | Secondary (mA) | No-Load Voltage (V) | Ambient Temperature |
|------------------|-------------|---------------|----------------|---------------------|---------------------|
| YZU30XD020-0605B | 2X115 | 2X6 | 2X166.7 | 2X10.2 | ta 50/B |
| YZU30XD020-0905B | 2X115 | 2X9 | 2X111.1 | 2X15.9 | ta 50/B |
| YZU30XD020-1205B | 2X115 | 2X12 | 2X83.3 | 2X20.4 | ta 50/B |
| YZU30XD020-1505B | 2X115 | 2X15 | 2X66.7 | 2X25.5 | ta 50/B |
| YZU30XD020-1805B | 2X115 | 2X18 | 2X55.6 | 2X30.6 | ta 50/B |
| YZU30XD020-2105B | 2X115 | 2X21 | 2X47.6 | 2X35.7 | ta 50/B |
| YZU30XD020-2405B | 2X115 | 2X24 | 2X41.7 | 2X40.8 | ta 50/B |

Dimensions (mm):



Front View

Bottom View